

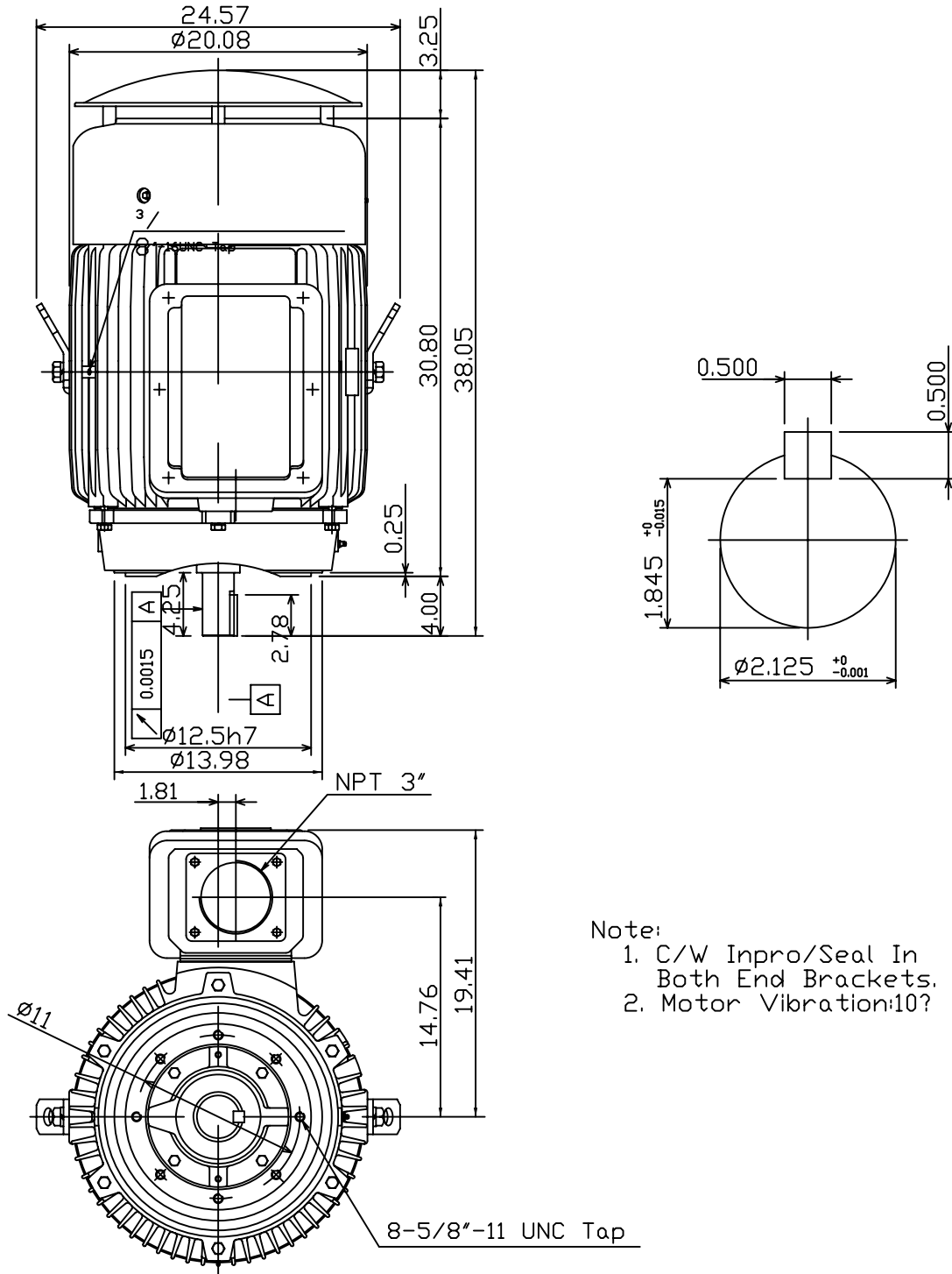
DATE  
January 21, 2009  
CAT. #:

OUTLINE DIMENSIONS  
3-PHASE INDUCTION MOTOR

MOTOR TYPE:  
AEUH8B-DC  
FRAME NO. 405TSC

Pole	HP	kW	Hz	VOLT	Syn.Speed r/min(rpm)
2					
Ins	Rating	Dimension in	Approx Weight	Bearings	
F	CONT.	inches	1188 LBS	DE: 6313C3 NDE: 6313ZC3	

Totally Enclosed Fan Cooled Vertical Type, Squirrel-cage Rotor.



Note:  
1. C/W Inpro/Seal In Both End Brackets.  
2. Motor Vibration:10?

$\diamond$		
------------	--	--

DWN.	???????	01 01 09		DWG NO.
CHKD.	???????	01 02 09		31049M243430
APPD.	???????	01 02 09		